

## MRT Box Option Trigger Output

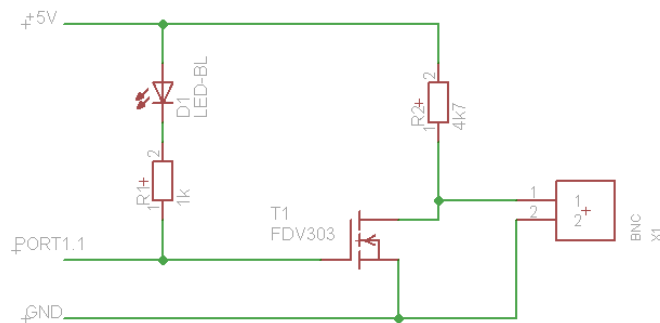
Because of the not deterministic delay time in the PC driving logic it is needed to know exactly when the Pins are moved.

For the test if something has changed the first 40 Byte of Data are checked.

The MRT Module Box can have for this purpose an output which is set exactly with the Pin Change. The output is a 5V logic level Output.

It is set when the Strobe signal switches the internal shift register to the output and it is reset about 30...50ms afterwards.

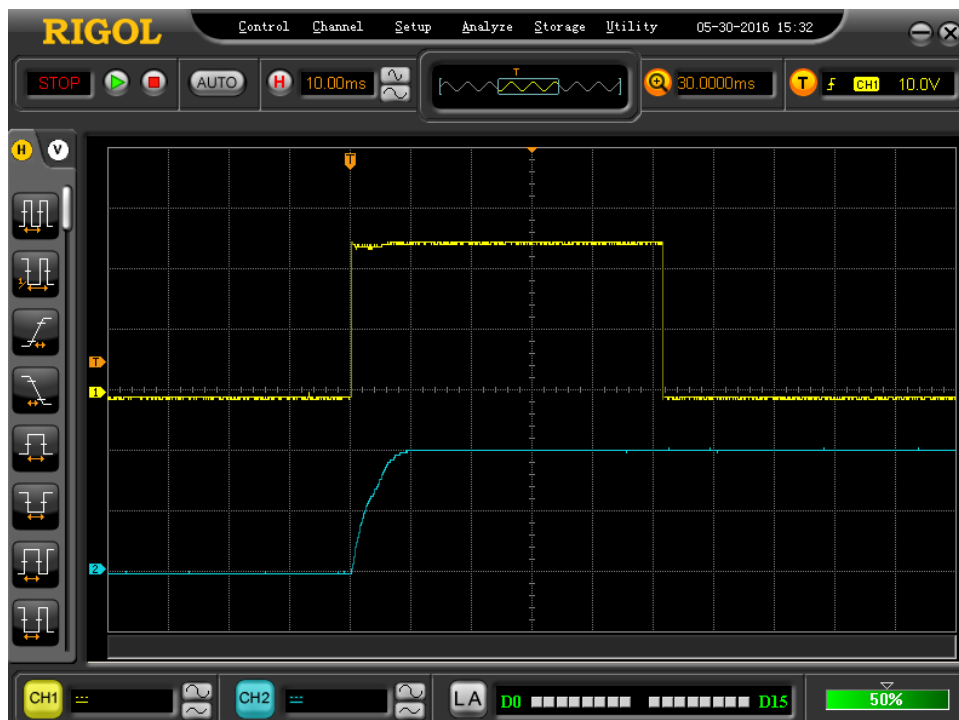
A blue LED indicates the Change of the pattern optically.



## Screenshot Signals

Yellow Trigger Pulse (2V / Div)

Blue Driving of Piezo Bender (100V/Div)



April 25th 2022